

---

# Fearless Frames

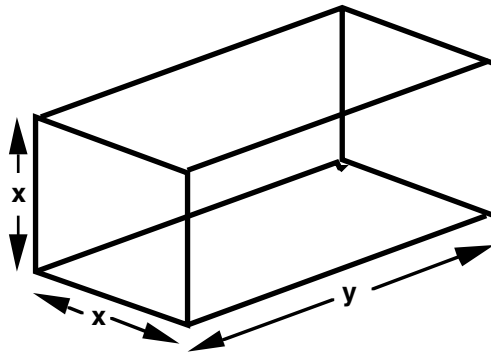
---

Fearless Frames Inc makes metal frames for containers.

1 A client asks Fearless Frames to make a large container which is a rectangular prism with a square cross section.

The company has only 60 meters of suitable metal tubing in stock.

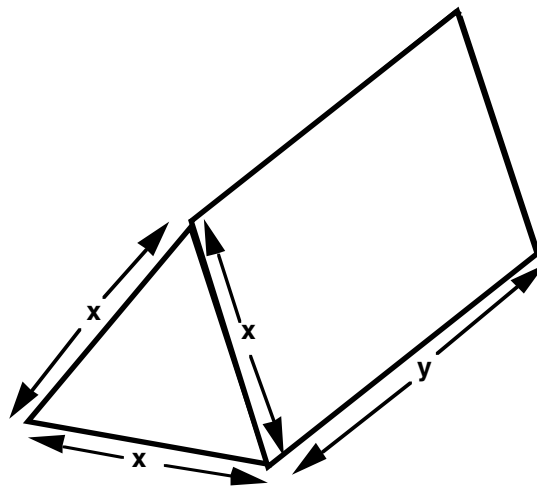
Find the dimensions of the container which holds the maximum volume the company can make using 60 meters of tubing.



2. The client changes his mind!

He asks for a container which is a prism with a cross section which is an equilateral triangle

Investigate the maximum volume of the container that can be made using 60 meters of tubing for the frame.



**Fearless Frames: (continued)**

3. What advice do you think Fearless Frames should offer to this customer?  
Show all your calculations.

---

---

---

---